



Creating the tools for a **safe** and **transparent** dairy supply chain in East Africa

www.safi.world
[@thesafihandle](https://twitter.com/thesafihandle)
outreach@safi.world

The Problem



East Africa has the highest global incidence of milk-borne diseases



30% of deaths are in children under 5

90%

This is due to a lack of access to safe milk with 90% of milk being sold in the informal market

Our Traction & Projected Impact

\$75 000 +
non-dilutive funding raised

1725 families
with access to safe milk through pilots

2.5% decrease
in milk-borne disease projected by the end of 2025



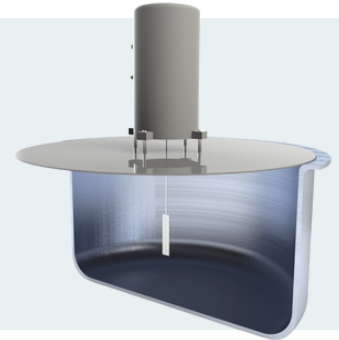
The Safi Device

World's First Small Scale Pasteurization Device

5x Cheaper
than the next alternative

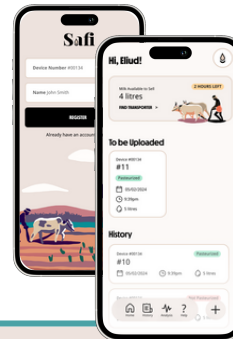
66%+ Energy Saved
compared to traditional methods

Up to 20 Litres
of milk can be pasteurized at once



The Safi App

Data-driven tracking software



Source of Truth

for governments & NGOs tracking rural farm dairy production

Remote Tracking

of devices connect via Bluetooth to smartphones